



Features

UH is an anti-vibration mounting designed to accommodate axial static and shock loads in both directions. The dynamic natural frequency is constant irrespective of the static load.

When fitted with overload/rebound washers, a high strength fail-safe installation is provided. Moreover, it is possible to alter the characteristics of the mounting by providing a dome-shaped washer at the upper rubber section. This will provide impact resistance to deflection beyond the permissible limit.

Installation reduces build tolerances.

UH is available in 2 standard versions allowing different maximum loads i.e. type UH 50 to a load of 250 kg and type UH 70 to 400 kg per mounting.

Novibra® type UH

Mounting type UH is particularly suitable for the suspension of both mobile and static cabs as well as platforms on agricultural vehicles.

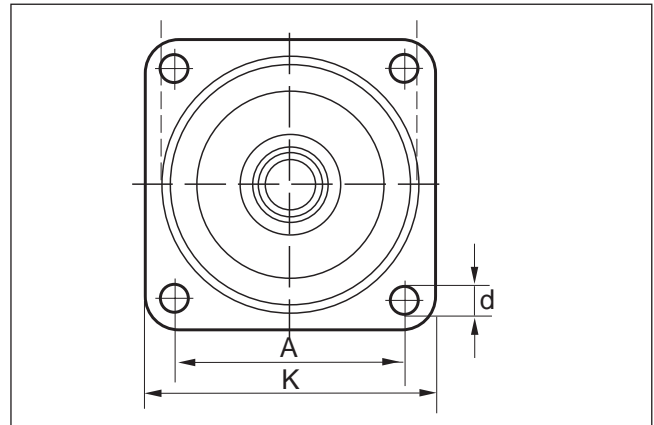
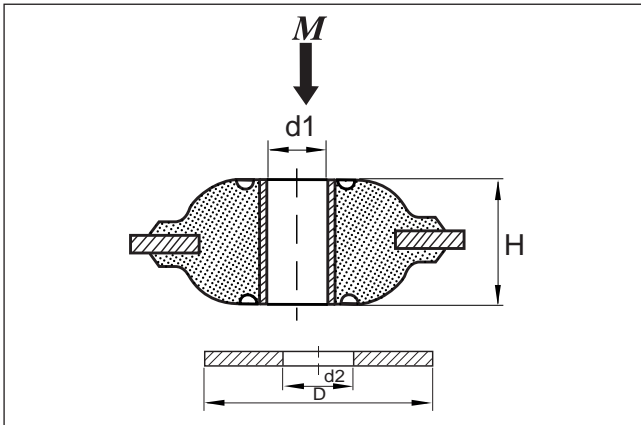
Effectively isolating vibration and noise, the UH-mounting also protects tanks and ancillary equipment against metal fatigue caused by chassis distortion.

Specific applications can be found on:

- Tractors
- Combine harvester
- Wheel-mounted loaders
- Street sweepers
- Compactors
- Lifting cranes
- Construction vehicles
- Forestry vehicles
- Off-road equipment
- Fork-lift trucks
- Excavators

Note: Maximum tightening torque of bolts:

- UH 50 80 Nm
- UH 70 120 Nm



Type	Art.No.	Dimensions in mm						Weight (kg)	M-Max (kg)
		K	A	H	C	d	d ₁		
UH 50 (50° IRH)	1534120	100.5	80.4	37	91	10.5	15	0.41	250
UH 70 (70° IRH)	1660850	100.5	80.4	37	91	10.5	17	0.41	400
UH Washer	1660420	d ₂	D	t					