

Novibra® type RAEM

For effective isolation of vibration and noise on machines with rotating movements, e.g.

- Compressors
- AC units
- Industrial fans
- Generators
- Combustion engines
- Emergency power sets
- Large milling machinery
- Industrial and marine gen sets
- Refiners
- Defibrators

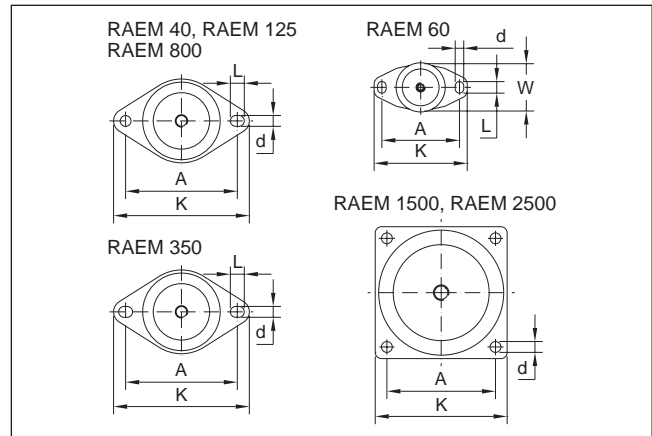
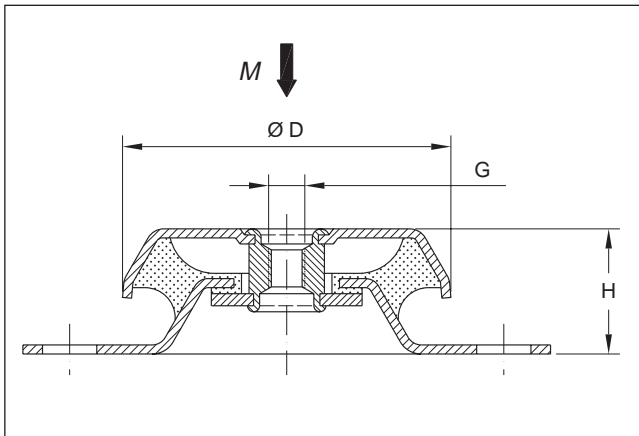
Features

RAEM is a universal mounting for applications demanding maximum isolation. It is a further development of RA, where EM stands for “extra soft”. Suitable for both light and heavy machines.

For normal speeds of approx. 1500 rpm the RAEM type provides a degree of isolation of 85-95%, and gives good isolation with low frequency machines.

Its unique construction and the latest production methods make Novibra type RAEM a high performance mounting having a number of advantages:

- Rubber features are utilised effectively combining compression and shear.
- Wide load rating options, 10-3400 kg.
- Corrosion protected to cope with arduous environments on land or marine applications (Fe/Zn8C as per ISO 2081).
- Fitted as standard with an integral fail-safe design with resilient stop, making RAEM ideal for use on mobile or marine applications. The RAEM mounts can accommodate occasional shock loads to 5 g reference to the weight in hardness 60° IRH. The mount will withstand shock loads up to 2 g without plastic deformation.
- Clear and durable product marking so that mountings can be identified even after several years in operation.
- Domed shape cover to protect against oil contamination.



| Type | Art.No. 40° IRH | Art.No. 60° IRH | Dimensions in mm | | | | | | | Weight (kg) | M-Max(kg) | | |
|--------------|--------------------|--------------------|------------------|---------|----|-------|-----|------|----|----------------|-----------|---------|---------|
| | | | D | A | W | H | K | d | L | | G | 40° IRH | 60° IRH |
| RAEM 40 | 1861860 | 1861870 | 64 | 88 | | 35.5 | 110 | 9 | 12 | M10 | 0.26 | 30 | 60 |
| RAEM 60 | 2256760 | 2256770 | 63 | 100 | 61 | 35.5 | 120 | 11 | 15 | M12 | 0.30 | 60 | 120 |
| RAEM 125 M10 | 1861720 | 1861730 | 84 | 110 | | 35.5 | 135 | 11 | 15 | M10 | 0.37 | 80 | 180 |
| RAEM 125 M12 | 2256140 | 2256150 | 84 | 110 | | 35.5 | 135 | 11 | 15 | M12 | 0.37 | 80 | 180 |
| RAEM 350 M12 | 2256440 | 2256450 | 110 | 140-148 | | 42 | 175 | 14 | 18 | M12 | 0.80 | 200 | 400 |
| RAEM 350 M16 | 1861780 | 1861790 | 110 | 140-148 | | 42 | 175 | 14 | 18 | M16 | 0.80 | 200 | 400 |
| RAEM 800 | 1861840 | 1861850 | 155 | 182 | | 54 | 216 | 14 | 18 | M16 | 1.8 | 450 | 800 |
| RAEM 1500 | 2255400 | 2255410 | 182 | 146 | | 85 | 180 | 14 | | M20 | 3.0 | 900 | 1700 |
| RAEM 2500 | 2255420 | 2255430 | 224 | 180 | | 105.5 | 220 | 17.5 | | M24 | 4.6 | 1700 | 3400 |