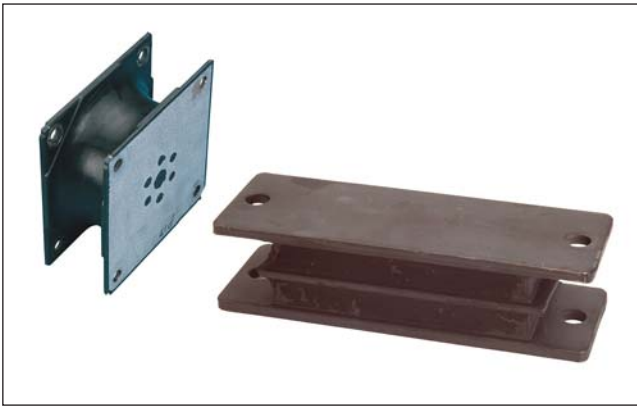


Rectangular SAW Mountings ●



Features

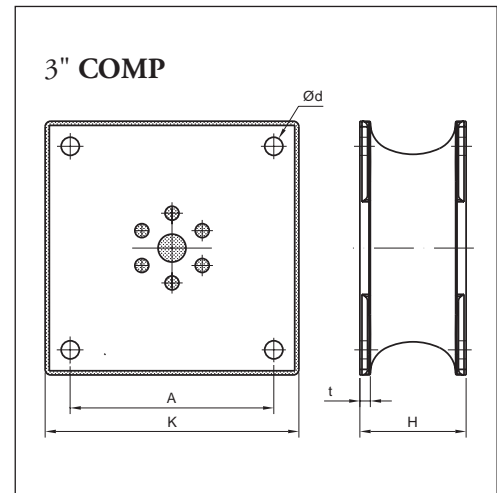
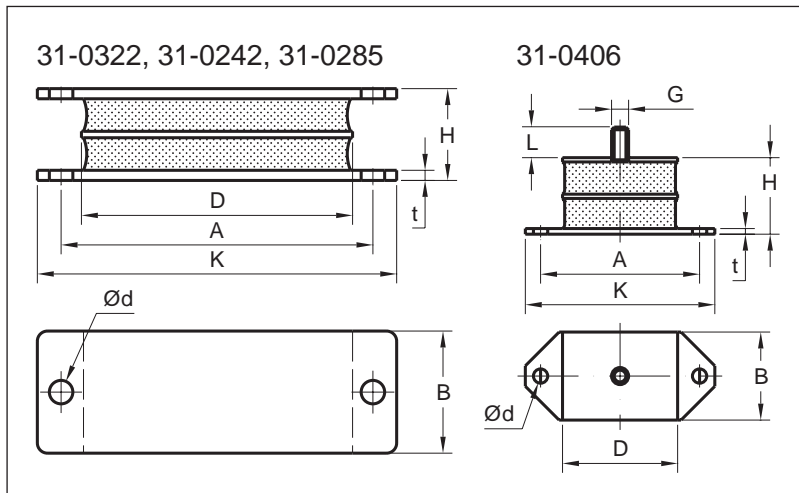
Rectangular SAW mountings are also known as 'Sandwich' mountings because they feature a rubber section sandwiched between plates of metal. This arrangement allows a large difference between the compression and shear stiffnesses, thus providing the potential to 'tune' a mounting system by rotating the mountings. These mountings are commonly installed in a 'Vee' formation to utilise this feature.

The Rectangular SAW Mountings has the following features:

- Available with plate or stud fixings.
- Can be loaded in compression or shear, or a combination of both, for example in a 'Vee' arrangement.
- Can be manufactured with or without interleaves to change the ratio of shear to compression stiffness.

Metalastik® type Rectangular SAW Mountings and Novibra® type 3" COMP

Widely used for suspending engines on road vehicles and may also be employed as springs for vibratory equipment.



Type	Art.No	Dimensions in mm										Max load in compression (kg)	Max load in shear (kg)	Weight (kg)
		A	B	K	H	D	d	t	G	L				
Rectangular SAW Mountings	31-0322-45 (45° IRH)	89	57	108	43	63.5	11	5				180	50	0.65
	31-0322-60 (60° IRH)	89	57	108	43	63.5	11	5				360	75	0.65
	31-0242-45 (45° IRH)	146	57	168	43	127	11	5				450	120	1.1
	31-0242-60 (60° IRH)	146	57	168	43	127	11	5				900	150	1.1
	31-0242-70 (70° IRH)	146	57	168	43	127	11	5				1050	150	1.1
	31-0406-45 (45° IRH)	74.5	41	89	36	54	6.5	2.5	M8	14		90	40	0.23
	31-0406-60 (60° IRH)	74.5	41	89	36	54	6.5	2.5	M8	14		180	70	0.23
	31-0406-70 (70° IRH)	74.5	41	89	36	54	6.5	2.5	M8	14		250	90	0.23
	31-0285-45 (45° IRH)	146	57	168	43	127	11	5				275	150	0.9
	31-0285-60 (60° IRH)	146	57	168	43	127	11	5				546	150	0.9
3"COMP-55	7293805 (55° IRH)	146		182	76		13	7.5					220	3.4
3"COMP-60	7293806 (60° IRH)	146		182	76		13	7.5					280	3.4
3"COMP-65	7293804 (65° IRH)	146		182	76		13	7.5					340	3.4