

● VP & UD Bushes



Features

Novibra® type VP and Metalastik® type UD consist of two concentric sleeves with rubber securely bonded between them. Designed to accommodate torsional movements and axial and radial loads. The rubber is prestressed to give maximum dynamic strength and durability.

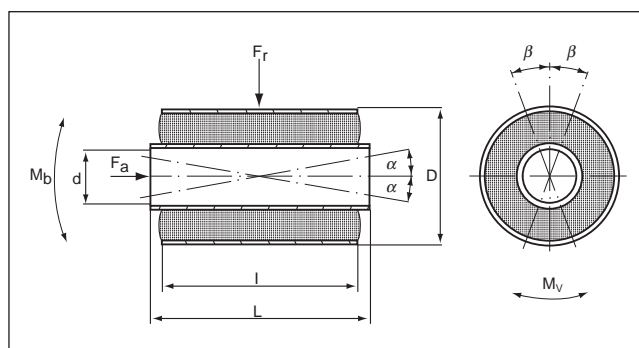
The bonded rubber takes up the full movement. Lubrication or other bearing maintenance is not required. The bush has excellent sound and vibration isolation characteristics, enabling structures fitted with Novibra® type VP and Metalastik® type UD sleeves to be silent and vibration free.

Novibra® type VP and Metalastik® type UD Bushes

For vehicle suspension, pivot arms and all types of mechanical linkage, permits oscillating movement through the deflection of rubber in shear. Suitable to replace roller bearings where small motions are required (up to 20 degrees). Reduces shock loads and noise transmission in structures.

Applications

- Vehicle suspension arms
- Vibratory feeders
- Conveyor tracks
- Mechanical linkages
- Pivot bearings



Designation Type	Art.No	Dimensions in mm				Torsion			Max Mb Nm	Conical Max α degr.	Axial load Max Fa N	Axial load		Radial load		Weight (kg)
		d	D	L	l	Max Mv Nm/ degr.	Max β degr.	Stiffness Nm/ degr.				Max Fa N	Stiffness N/mm	Max Fr N	Stiffness N/mm	
		60° IRH														
VP 10/2525	70169	10	25	25	20	5.0	15	0.3	6.0	8	0.7	750	170	2300	2000	0.04
VP 10/2540	70177	10	25	40	35	6.0	15	0.4	38.0	8	4.8	1500	380	3800	2350	0.06
VP 15/3530	70185	15	35	30	25	9.0	15	0.6	12.0	8	1.5	1500	220	3500	3000	0.08
VP 15/3550	70193	15	35	50	45	15.0	15	1.0	120.0	8	15.0	2500	520	6000	6500	0.12
VP 20/4540	70201	20	45	40	35	24.0	15	1.6	45.0	8	5.6	2600	330	6800	4000	0.16
VP 20/4575	70219	20	45	75	70	48.0	15	3.2	365.0	8	46.0	5500	820	13500	8000	0.32
VP 25/5045	70227	25	50	45	40	46.0	14	3.3	96.0	8	12.0	3800	450	9000	4500	0.21
VP 25/5085	70235	25	50	85	80	69.0	14	4.9	730.0	8	92.0	7500	960	18000	10500	0.42
VP 30/6055	70243	30	60	55	45	78.0	14	5.6	135.0	8	17.0	5100	530	12000	5000	0.34
VP 35/6560	70268	35	65	60	50	93.0	12	7.7	180.0	6	23.0	6600	720	16000	8500	0.43
VP 40/7065	70284	40	70	65	55	138.0	12	11.5	290.0	7	41.0	8300	870	20500	17000	0.56
VP 45/7570	70300	45	75	70	60	240.0	12	20.0	320.0	7	45.0	10000	1100	24000	20000	0.67
VP 50/8075	70326	50	80	75	65	275.0	11	25.0	700.0	7	100.0	12000	1350	28500	30000	0.77

Type	Art.No	Dimensions in mm				Torsion		Axial		Radial		Weight (kg)
		d	D	l	L	Stiffness Nm/rad	±β degrees	Stiffness N/mm	Max defl. mm	Stiffness N/mm	Max load kN	
UD bushes	13-1232-60 (60° IRH)	8	20	15	17	10	13	205	1.3	2000	0.7	0.02
	13-1230-55 (55° IRH)	10	24	15	18	14	13	180	1.7	1300	0.5	0.02
	13-1782-60 (60° IRH)	12.7	38.2	25.4	31.8	30	22	220	3.3	1200	1.1	0.08
	13-1657-60 (60° IRH)	12.7	38.2	44.5	50.8	42	22	330	3.3	2100	2.2	0.14
	13-0785-60 (60° IRH)	14.3	30.2	44.5	50.8	86	13	640	1.9	11000	6	0.11
	13-0797-60 (60° IRH)	15.9	33.4	60.3	65	140	13	960	2.1	18800	9.5	0.16
	13-1004-60 (60° IRH)	15.9	47.7	44.5	50.8	74	20	330	4.2	2500	2.5	0.20
	13-1698-60 (60° IRH)	35	71.2	41.1	45	395	14	550	5.1	3800	4.5	0.39