

SW Mounting



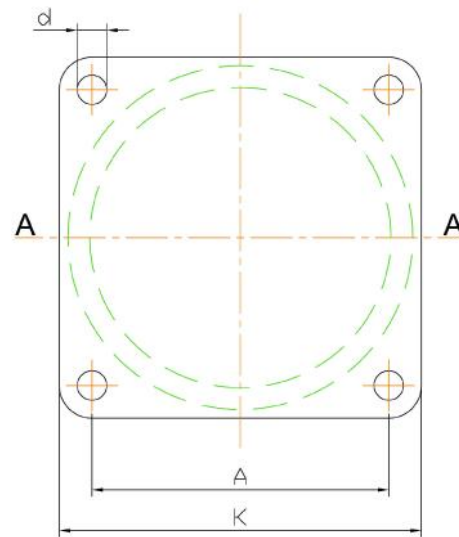
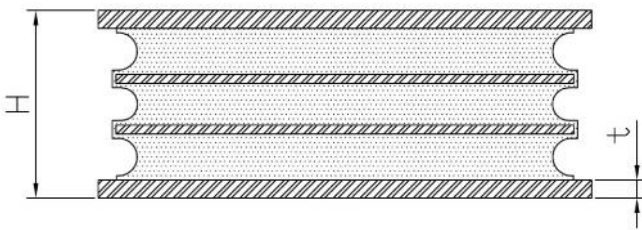
AV Industrial Products Type SW mounting is a heavy duty, multi-interleaf, rubber-to-metal bonded mounting. It consists of multiple steel interleafs, with high grade rubber compound bonded onto two heavy duty outer metal fixing plates. This design allows the mounting to withstand large compressive forces with minimum deformation, whilst providing low shear stiffness.

The combination of a low compressed height, high vertical stiffness and low shear stiffness means it is a universal, high performance mounting with uses in many applications. The SW mounting can offer excellent vibration isolation for both static and shock loads in vertical and in shear.

The SW Mounting design provides a heavy duty, Robust mounting, providing excellent vibration isolation in both the horizontal and shear direction.

Types of applications the SW Mounting is typically used in are:

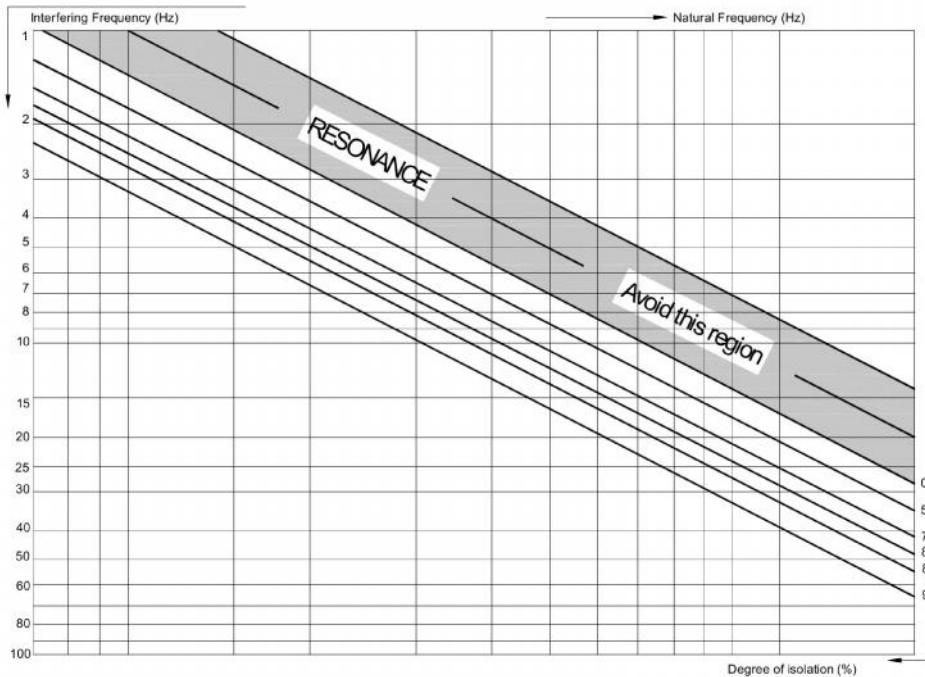
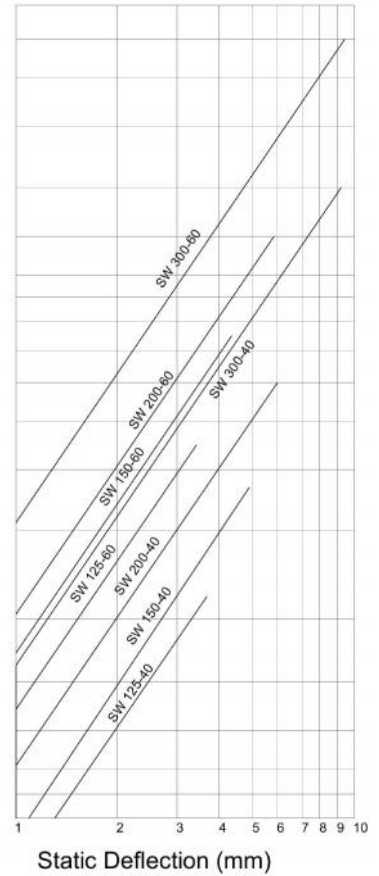
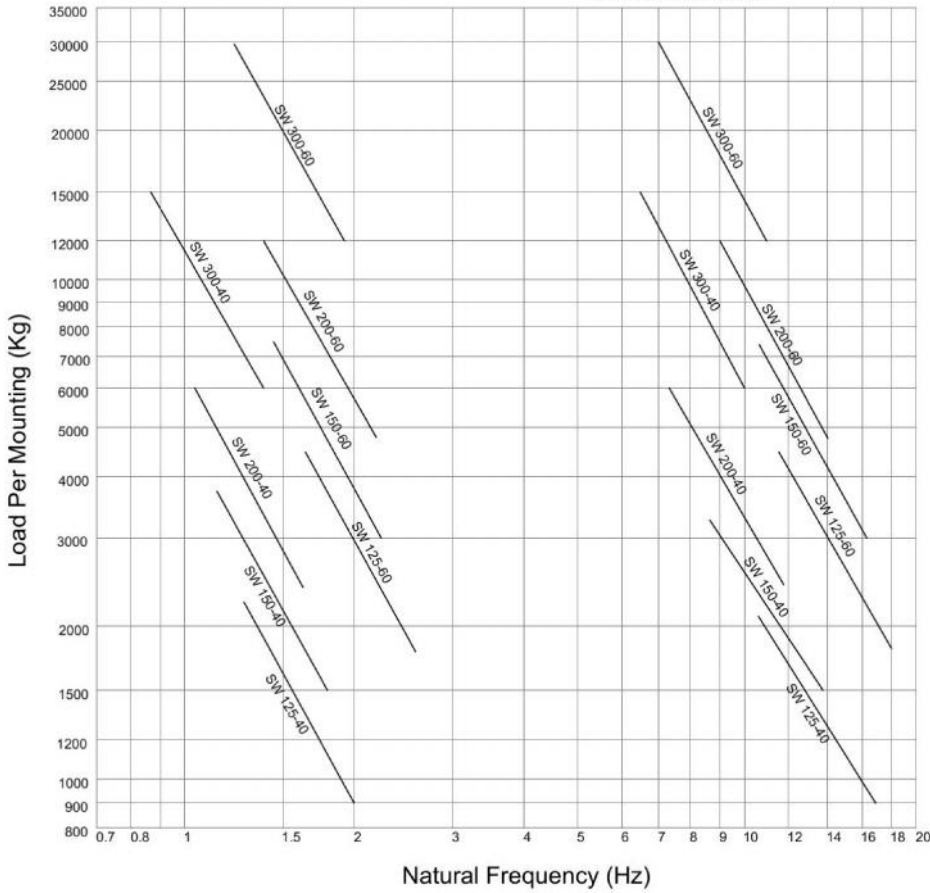
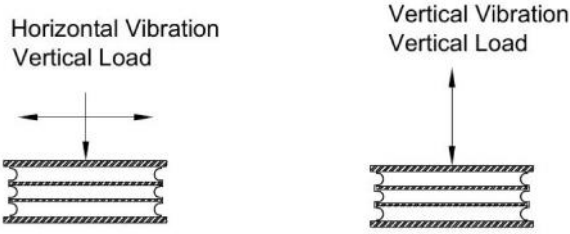
- Screens Edge Runners
- Crushers Vibratory Rollers
- Mills Hoppers & Feeders
- Grinders Other Heavy Duty Machines or Equipment



PART NO	A	K	H	d	t	Max Load (Kg)		Weight (Kg)
						40 IRHD	60 IRHD	
SW125	118	148	52	13.5	5	2250	4500	2.6
SW150	136	166	63	13.5	6	3750	7500	4.1
SW200	184	220	82	17.0	8	6000	12000	9.2
SW300	270	310	120	22.0	10	15000	30000	27.0

SW Mounting

Note: The natural frequencies and degrees of isolation are based on dynamic characteristics of the mountings.



SW Mounting

Note: The natural frequencies and degrees of isolation are based on dynamic characteristics of the mountings.

Fmax (Kg)	40° IRH	60° IRH
SW 125	240	570
SW 150	330	850
SW 200	600	1200
SW 300	1575	3150

This page refers to shear load characteristics only!

Load per mounting (kg)

